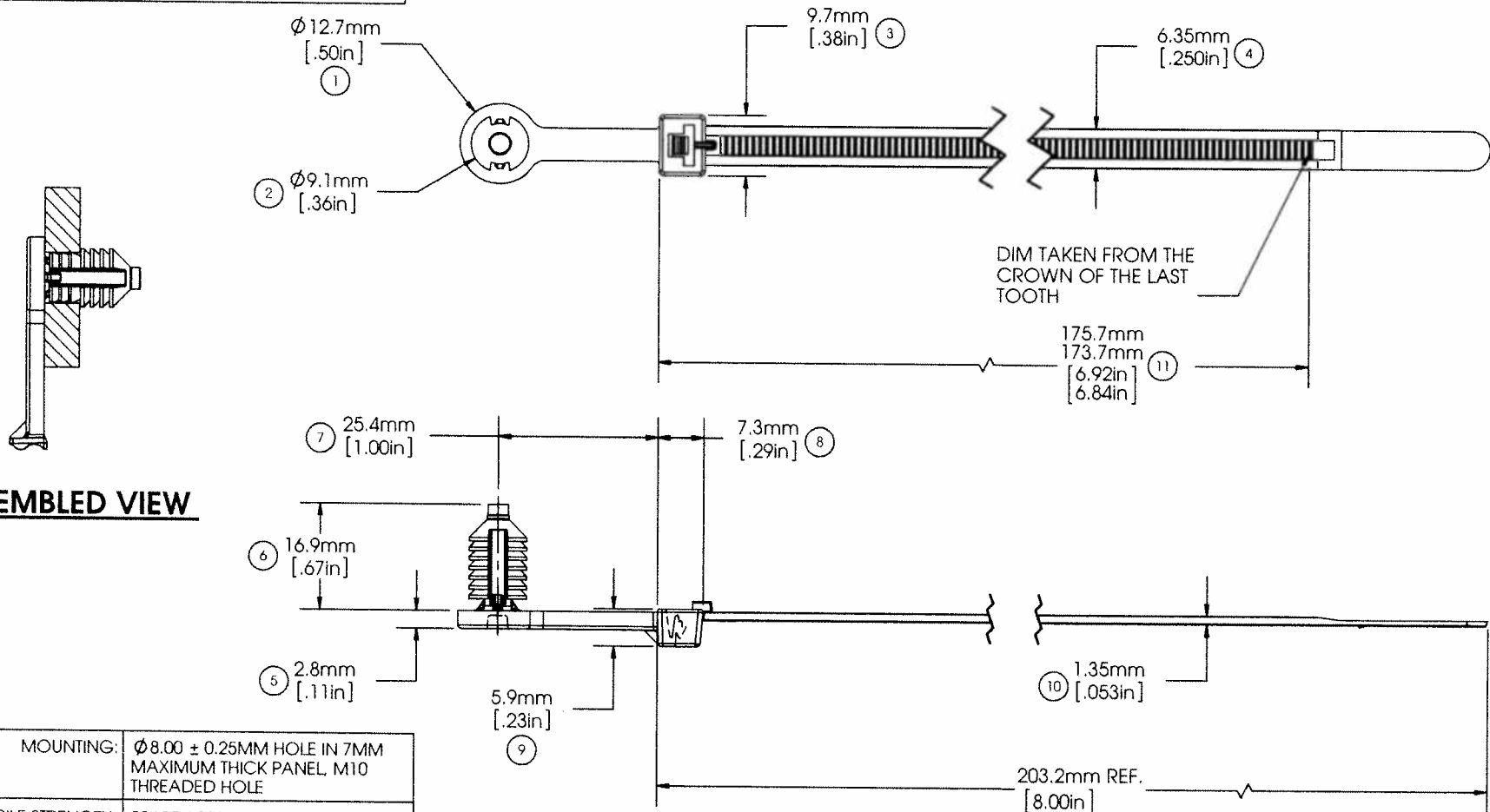


# AVERY DENNISON MARKETING SPECIFICATION

## HISTORY

THE SUBJECT MATTER DISCLOSED HEREIN EMBODIES PROPRIETARY INFORMATION WHICH IS THE CONFIDENTIAL PROPERTY OF THE AVERY DENNISON CO. NONE OF WHICH SHALL BE COPIED, REPRODUCED, DISCLOSED TO OTHERS, PUBLISHED OR USED IN WHOLE OR IN PART, FOR ANY PURPOSE OTHER THAN THAT FOR WHICH IT IS BEING MADE AVAILABLE WITHOUT THE EXPRESS ADVANCE WRITTEN PERMISSION OF A DULY AUTHORIZED AGENT OF THE COMPANY. THIS DOCUMENT IS THE PROPERTY OF THE AVERY DENNISON CO. AND IS TO BE RETURNED TO THE COMPANY ON DEMAND.

REV	DATE	DESCRIPTION
A	11/20/09	RELEASE TO PRODUCTION
B	04.17.13	ADDED ITEM 11



MOUNTING:  $\phi 8.00 \pm 0.25\text{MM}$  HOLE IN 7MM MAXIMUM THICK PANEL, M10 THREADED HOLE

TENSILE STRENGTH: 50 LBF / 222.4N MIN.

TEMPERATURE RANGE: -40°F (-40°C) TO 239°F (115°C) CONTINUOUS AND 257°F (125°C) AT MAXIMUM EXPOSURE

WEIGHT: 2.9 GRAMS

BUNDLE DIAMETER:  $\phi .25\text{in}$  (6.4mm) TO  $\phi 2\text{in}$  (50.8mm)

INSTALLATION TOOL: 12001 - HAND TOOL  
12500 - PNEUMATIC TOOL

TOOL TENSION SETTING: 6 - 8

PACKAGING: 500/BAG, 5000/CASE

APPROVALS:

ENG. APPR. *[Signature]* 4/17/13

Q.A. APPR. *[Signature]* 7/18/13

GENERAL TOLERANCE

INCHES      MM  
.XX  $\pm .03$       .X  $\pm .7$   
.XXX  $\pm .01$       .XX  $\pm .25$   
ANGULAR:  $\pm 3^\circ$

MATERIAL  
NYLON 6/6  
IMPACT MODIFIED, HEAT STABILIZED

COLOR  
GRAY



**AVERY DENNISON**

FASTENER DIVISION  
FITCHBURG, MA 01420 U.S.A.  
TEL. 1-800-225-5913  
FAX. 978-353-8157

DESCRIPTION  
8MM OFF-SET TIE, REVERSED

STOCK NO.  
20122-0

REV.  
B